

IENE
2017-11-29

Evakueringsrör för groddjur i kabelbrunnar – resultat från försök

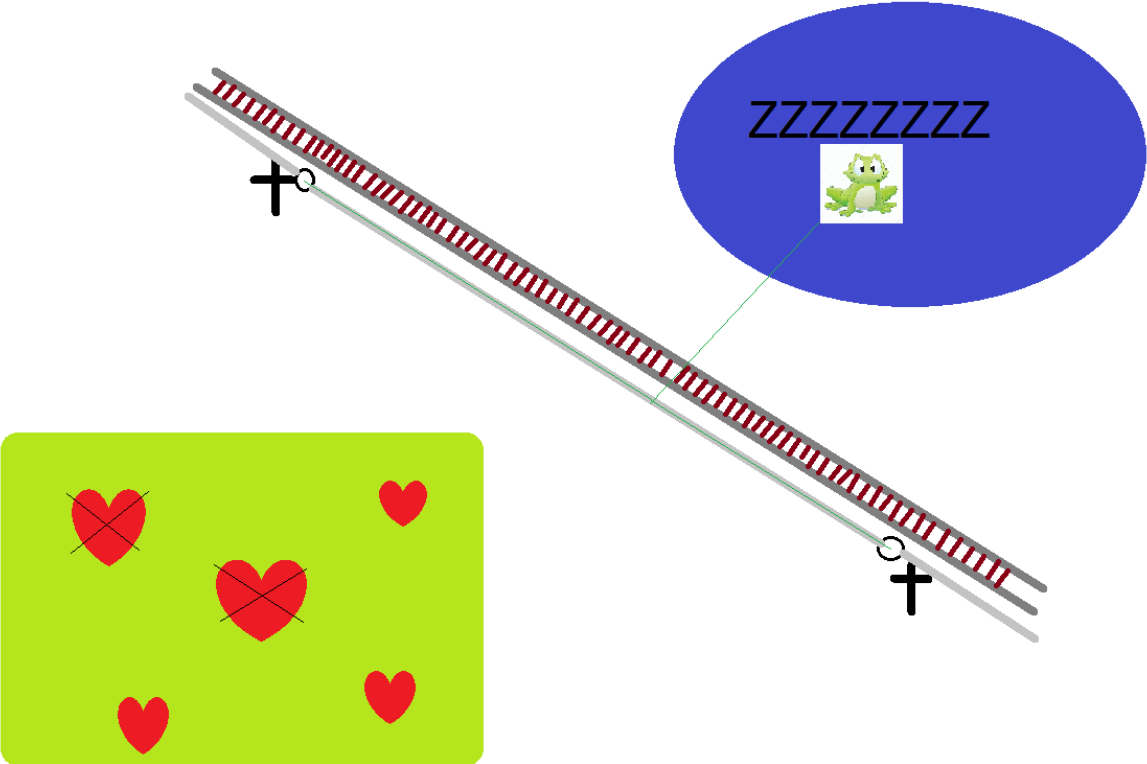


TRAFIKVERKET

Anita Wennström
Miljöspecialist, IV

*Evacuation pipes for reptiles from
cablewells-
results from experiments and railroads*

Problem!





Cablewells are traps for
toads,
frogs,
snakes,
mice
and





Usually large gravel so they have to climb when they search for escape holes....



Problem means we need a solution...



We needed:

1. An engaged planner and me
2. A garage for full scale set up
3. Gravel
4. Drainagepipe
5. Cameras and monitors
6. Frogs and snakes
7. A professor and 6 permits





Lid and camera



Escape to plastic bag



Important with small gravel so they find their way out quickly.





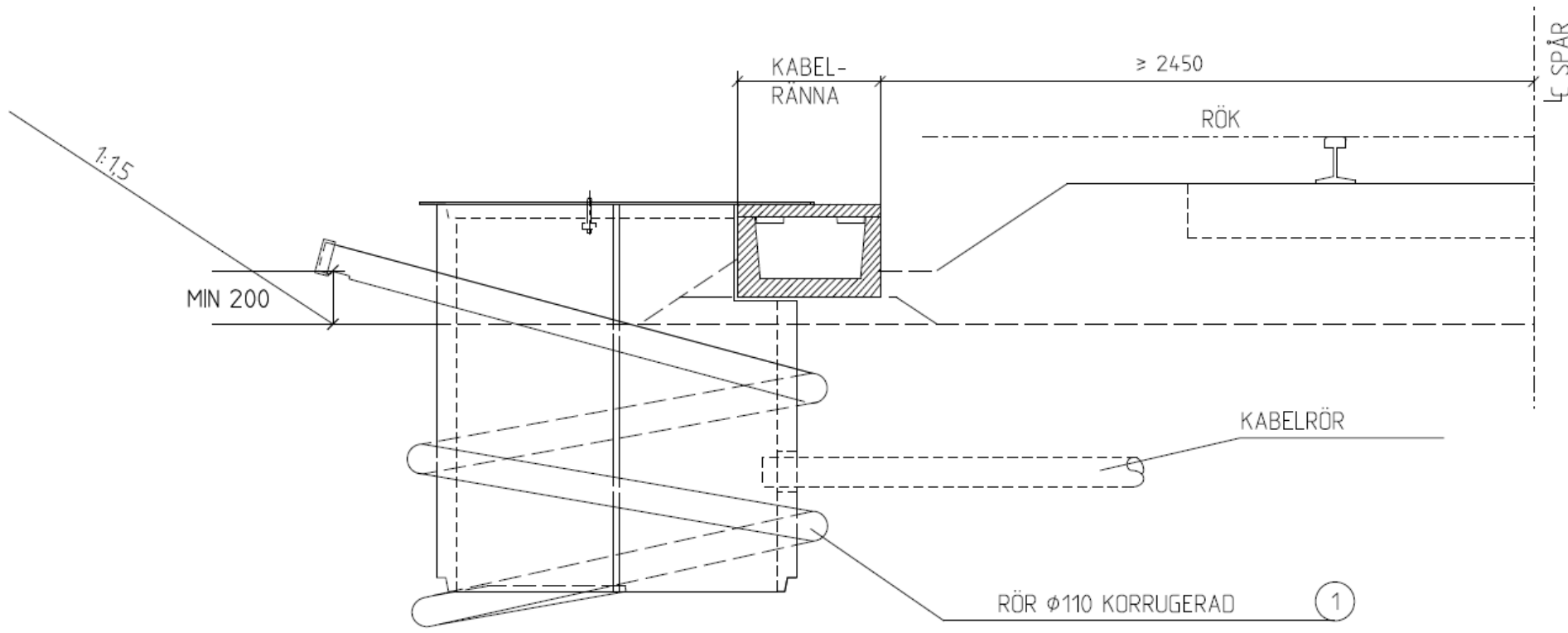
Escape hole must be hidden underneath.

Empty well! Problem solved!



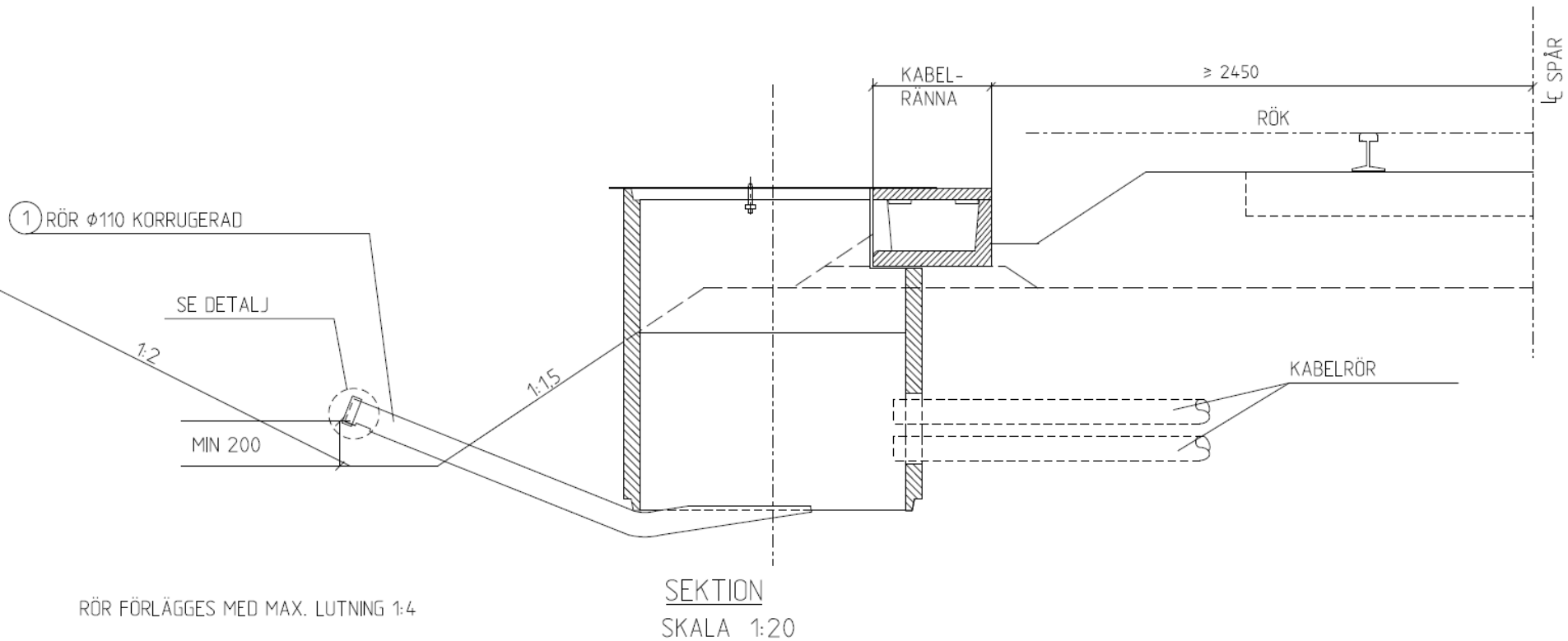
Crossboard so they find the hole more quickly.

Typedrawings



Costs?

Ca 2000 kr/well



Thank you!

